

Description:

The EMFI Compact Fan's are characterized by their slim design (non-protruding motor). The impeller hub is positioned directly on the rotor which results in a very compact motor-impeller assembly. The rigid polypropylene frames are black in color. Metal, powdercoated frames are also available upon request. The terminal box is connected with an approx. 80cm long cable to the motor.

Applications:

For ventilation of general buildings, halls, workshops, factories, warehouses etc.

- Available sizes: Ø 300-500 mm
- Capacity range: 2.130-8.400 m³/h
- Short, compact and lightweight design
- Impeller fitted with four glass-fibre reinforced polypropylene fan blades
- Rigid wall frames: polypropylene or metal frames available
- All models are fitted with a built-in thermal overload protector.
- All fasteners are stainless-steel
- IP54 (terminal box IP55)
- RPM controllable by transformer or electronic control
- Insulation class "F"
- Operating temperature range -20°C to +40°C



Technical data

Fan Ø (mm)	Type	EMFI Code	I _{nom} (A)	P _n (Watt)	Speed/power (W/1000m ³ /h)	Control-ability	fan performance l/m ³ /h		
							0 Pa	20 Pa	100 Pa
300	4529	WIF-300/4	0,44	85	40,5	E/T	2.130	2.000	1.300
350	4534	WIF-350/4	0,6	120	37,7	E/T	3.180	3.000	2.400
400	4539	WIF-400/4	1,1	200	41,5	E/T	4.820	4.600	4.000
450	4544	WIF-450/4	1,4	300	47,6	E/T	6.300	5.950	5.300
500	4549	WIF-500/4	2,5	460	54,7	E/T	8.400	7.950	7.100

* Fan controllability: E = Electronic/Trac T = Transformer FC = Frequency Drive

Fan accessories - see page 10



The main Compact Fan parts are also available as a kit for OEM applications. Ask your distributor for more information



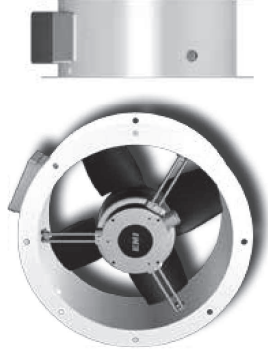
Description:

The compact design of the motor and impeller assembly, mounted inside the slim outer casing, results in a complete fan unit which is both shorter and lightweight compared with similar products.

Applications:

For installation in all kinds of circular duct systems: workshops, commercial buildings, factories, warehouses etc. Apart from applications in ducts, the units can be suspended freely and used as stir/recirculation fans for application in e.g. greenhouses.

- Available sizes: Ø 315-500 mm
- Capacity range: 2.130-8.400 m³/h
- Short, compact and lightweight design
- Impeller fitted with four glass-fibre reinforced polypropylene fan blades
- The casing is made out of rolled steel plate (2mm thickness) with drilled flanges at both ends and is epoxy powder coated (RAL 9010) for full anti-corrosion resistance.
- All models are fitted with a built-in thermal overload protector.
- All fasteners are stainless-steel
- IP54 (terminal box IP55)
- RPM controllable by transformer or electronic control
- Insulation class "F"
- Operating temperature range -20°C to +40°C

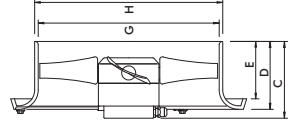
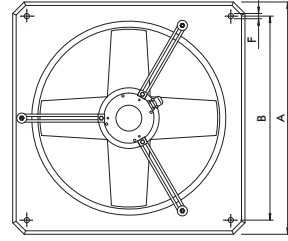


Technical data

Ø (mm)	Type	EMFI Code	I _{nom} (A)	P _n (Watt)	Speed/power (W/1000m ³ /h)	Control-ability	fan performance l/m ³ /h		
							0 Pa	20 Pa	100 Pa
315	4529	TWIF-315/4	0,44	85	40,5	E/T	2.130	2.000	1.300
350	4534	TWIF-355/4	0,6	120	37,7	E/T	3.180	3.000	2.400
400	4539	TWIF-400/4	1,1	200	41,5	E/T	4.820	4.600	4.000
450	4544	TWIF-450/4	1,4	300	47,6	E/T	6.300	5.950	5.300
500	4549	TWIF-500/4	2,5	460	54,7	E/T	8.400	7.950	7.100

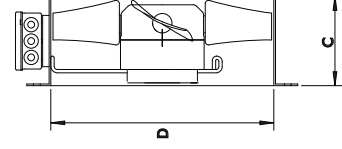
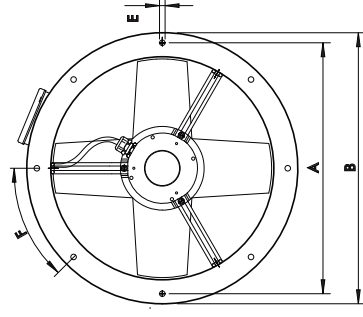
* Fan controllability: E = Electronic/Trac T = Transformer FC = Frequency Drive

Fan accessories - see page 10



Fan Ø (mm)	Dimensions in mm							
	A	B	C	D	E	F	G	H
300	395	350	156	126	106	9,5	300	314
350	445	400	156	126	106	9,5	350	364
400	495	444	156	126	106	9,5	400	414
450	575	505	166	136	116	13	450	464
500	635	565	166	136	116	13	500	514

* Frame: PP = polypropylene. Metal frames available upon request



Fan Ø (mm)	Dimensions in mm					
	A	B	C	D	E	F
315	355	387	160	315	10	8 x45°
355	395	427	160	355	10	8 x45°
400	450	486	160	400	12	8 x45°
450	500	536	170	450	12	8 x45°
500	560	596	170	500	12	12 x30°

Flange dimensions and bolt-hole positions according to ISO standard 6560: "General-purpose industrial fans - Circular flanges - Dimensions"